

Rosewill[®]

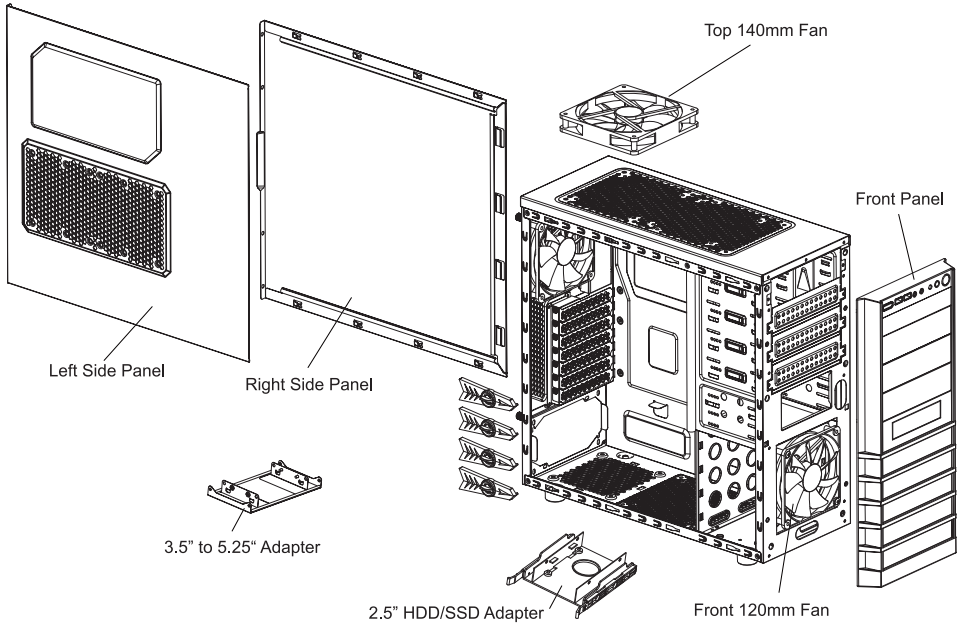
RANGER

User's Manual

Contents

- **Product Overview** ----- P.2
 - Disassemble Chart ----- P.2
 - Accessory Box ----- P.3
- **Installation Guide**
 - Opening Chassis----- P.4
 - Installing Power Supply ----- P.4
 - Installing Motherboard----- P.5
 - Installing Add On Card----- P.6
 - Installing External 5.25" Device ----- P.7
 - Installing External 3.5" Device ----- P.8
 - Installing 3.5"/2.5" HDD/SSD ----- P.8
- **Information** ----- P.9

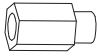
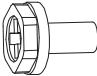
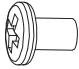
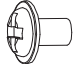

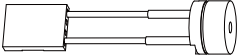

Disassemble Chart



Front I/O Pin Define

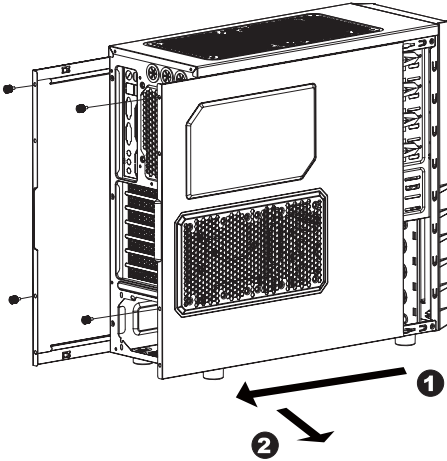
<p>e-SATA CONNECTOR</p>	<p>AC97 CONNECTOR</p> <p>MIC — 23 — MIC AUD GND — 24 — MIC-BIAS RET-R — 25 — FPOUT-R NO PIN — 26 — +5V RET-L — 27 — FPOUT-L</p>
<p>USB 3.0 CONNECTOR</p> <p>VBUS — 1 — None SSRX1+ — 2 — VBUS SSRX1- — 3 — SSRX2- ground — 4 — SSRX2+ SSTX1+ — 5 — ground SSTX1- — 6 — SSTX2- ground — 7 — SSTX2+ D1+ — 8 — ground D1- — 9 — D2- None — 10 — D2+</p>	<p>HD CONNECTOR</p> <p>AUD GND — 23 — PORT1L PRESENCE# — 24 — PORT1R SENSE1_RETURN — 25 — PORT2R NO PIN — 26 — SENSE_SEND SENSE2_RETURN — 27 — PORT2L</p>

Accessory Box

	9 x M/B standoff	Motherboard
	4 x Screw A	Power Supply
	10 x Screw B	Motherboard
	12 x Screw C	2.5" HDD/SSD Floppy
	4 x HDD rail (set)	HDD
	1 x PC SPEAKER	Motherboard
	10 x Cable tie	Cables

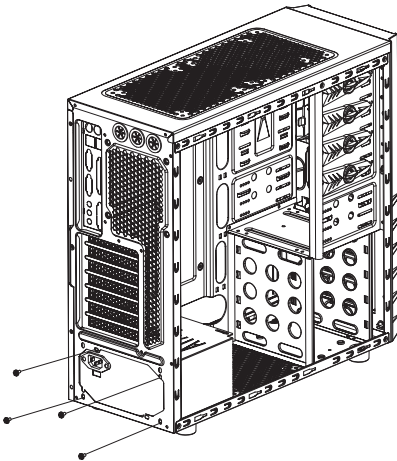
Installation Guide

1.



Unscrew to remove left and right panel.

2.



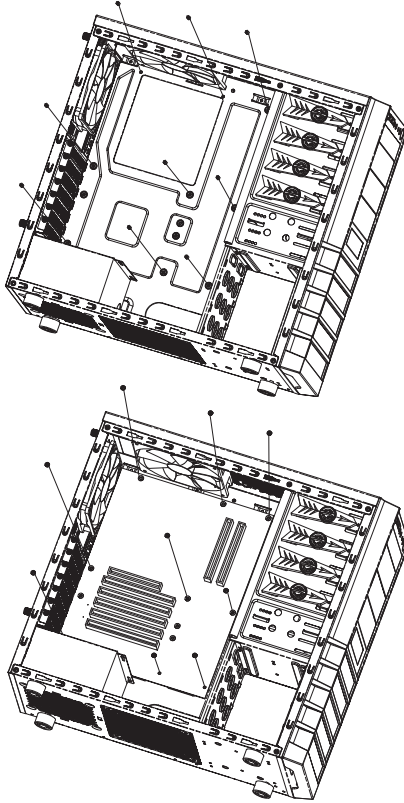
Place the power supply from the left side into the chassis and secure with screws.

NOTICE : If your power supply is equipped with single fan (120mm, 135mm or 140mm), you have two options to install it.

1. The fan faces UP – Don't let anything drop into the power supply.
2. The fan faces DOWN – You have to put this computer case on a HARD surface (ex. desk) to make sure enough room for power supply cool air intake.

Installation Guide

3.

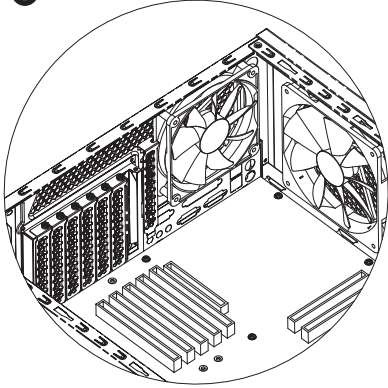


- Install motherboard stand-offs according to your motherboard's screw holes.
- Place the motherboard onto stand-offs and secure with screws.

Installation Guide

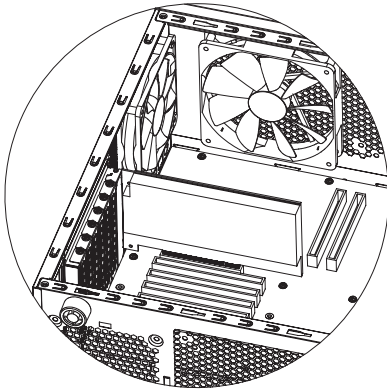
4.

1



- Confirm which slot you want to install an add-on card then unscrew to remove the mesh cover.
- Install the add-on card and secure with screws.

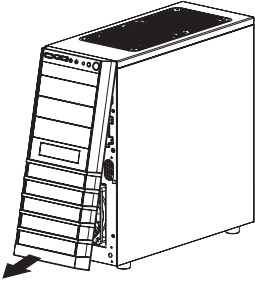
2



Installation Guide

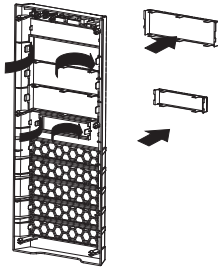
5.

1

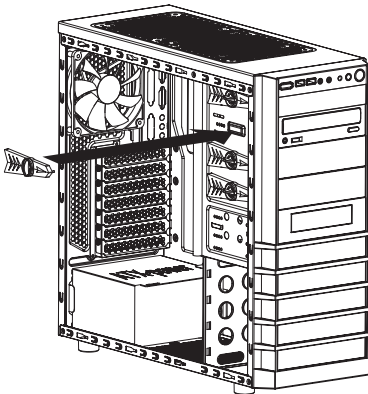


- Pull to remove the front panel.
- Confirm which bay you want to install device(S) then remove the bay cover.
- Reinstall the front panel.

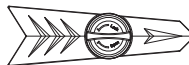
2



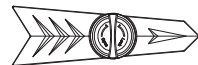
6.



- Insert the 5.25" device from the front panel into the chassis then secure with screw-less kits.



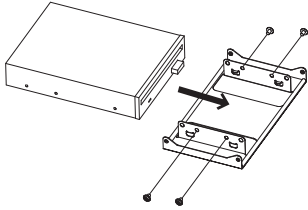
Lock



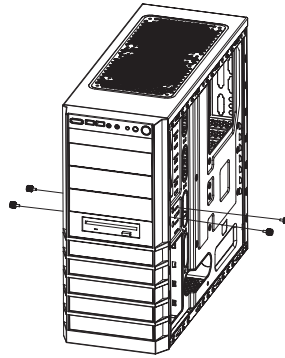
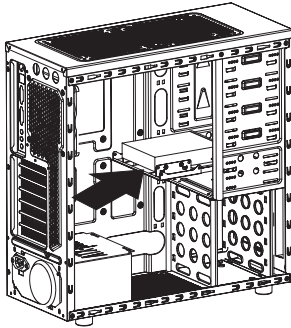
Unlock

Installation Guide

7.

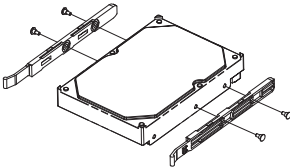


-Put the external 3.5" device onto the 5.25" to 3.5" adapter and secure with screws.
 -Insert it into its position from inside and secure with screws.



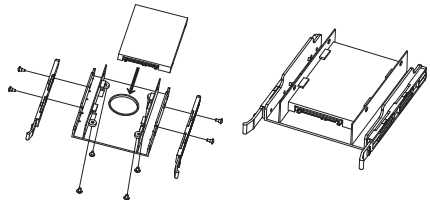
8.

1

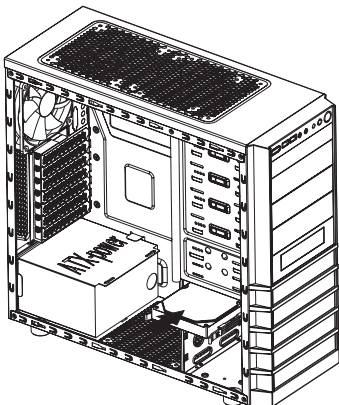


3.5" HDD/SSD

2



2.5" HDD/SSD



-Follow above step according to your HDD/SSD's type.
 -Insert it into its slot and push to the bottom to secure.

NOTE :

Change HDD's direction by changing nails' position.

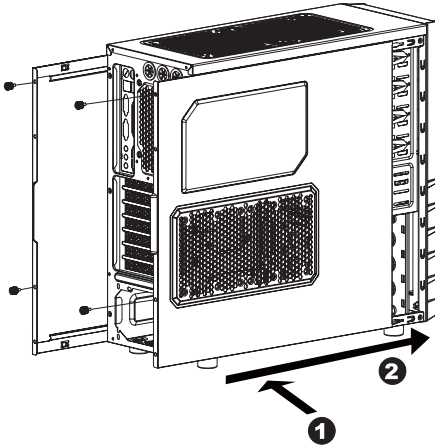


L : HDD's connectors face to left side panel

R : HDD's connectors face to right side panel

Installation Guide

9.



Make sure all necessary cables and wires are connected, then reinstall side panels and secure with screws.

Thank you for purchasing a High-Quality Rosewill Product.

Please register your product at : <http://www.rosewill.com>
for complete warranty information and future support for your product.

If you have any question while using our products, please visit our website : www.rosewill.com
for latest driver & user manual or feel free to contact us.

Support Phone Number: 800-575-9885

Support Email: techsupport@rosewill.com

Rosewill[®]

www.rosewill.com